




Acme Sanitary Ware Co Ltd

Acme Building, 22-28 Nanking Street, Kowloon, Hong Kong
Tel: 2388 7171 Fax: 2710 8012
E-mail: acme@acmesanitary.com.hk
Website: www.acmesanitaryware.com.hk

PROJECT		REF		REV	ITEM CODE	
LOCATION		DATE			PAGE	

SANITARY WARE SPECIFICATION SHEET

Item Descriptions	Mediclinics (Spain) stainless steel AISI 304 wall-mounted push-button disinfectant spray soap dispenser in bright finish	
Dimensions	L110 x W133 x H240 mm	
Model	DJS0033C	
Material/ Finish	Stainless Steel / Bright Finish	
Manufacturer	Mediclinics, S.A. (Spain)	
Supplier	Acme Sanitary Ware Co. Ltd Mr. Eric Wong/ Mr. Don Yuen	
Contact Tel/Fax E-mail Website	(852) 2388-7171 / (852) 2710-8012 acme@acmesanitary.com.hk www.acmesanitary.com.hk	

General Description

- Spray soap dispenser of 1.5 L capacity, manufactured in stainless steel AISI 304, 0,8 mm thick, to be installed directly on the wall and hand-operated by means of a push-button.
- Available in three finishes (white, bright and satin) these soap dispenser models have a functional, robust and trendy design that matches the new range of Mediclinics bathroom accessories. This allows this soap dispenser to blend into any space perfectly.
- Suitable for high traffic facilities and for public use.
- Dispenses liquid disinfectant soaps.



DJS0033
White epoxy finish



DJS0033B
Black epoxy finish



DJS0033C
Bright finish



DJS0033CS
Satin finish

Components & materials

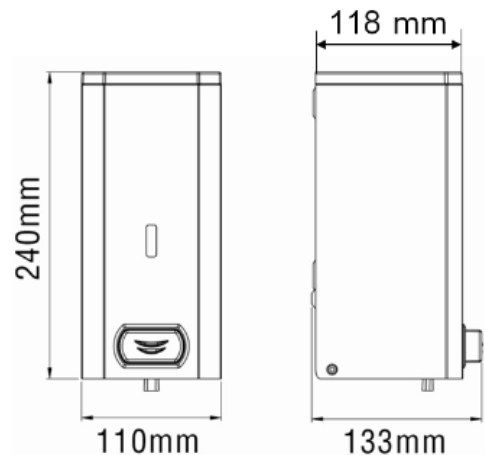
- **DJF0033:** Stainless steel AISI 304, white epoxy finish.
- **DJF0033C:** Stainless steel AISI 304, bright finish.
- **DJF0033CS:** Stainless steel AISI304, satin finish.
- **DJF0033B:** Stainless steel AISI 304, black epoxy finish.
- Level display in the front part that constantly indicates the level of soap available inside the soap dispenser.
- Inner plastic tank that prevents oxidation and that can be easily removed for cleaning and disinfection purposes.
- Push-button made in stainless steel.
- Anti-drip corrosion resistant valve that dispenses 0.8 ml of soap per service. This anti-drip valve, which dispenses liquid soap, is easily interchangeable with the valves of the other soap dispensers of the same line.
- Hinged cover for operator convenience and speed of service.
- Opening on top with provided Mediclinics key that allows soap refill.
- It is mounted on the wall by means of four Ø4 stainless steel screws (provided) with their corresponding Ø 6mm plastic plugs (also provided).
- It is recommended to use liquid disinfectant soaps with a density of 0.8kg/dm³ and maximum of alcohol content of 85%.

Operation

Place one hand just under the soap dispenser valve and press the center push-button until the end of the soap dosage.

Mounting Template

10-15cm from shelf.



Refillable tank



Technical Specifications

Dimensions	240 x 110 x 133 mm
Capacity	1.500 ml
Body, cover & base plate thickness	0.8 mm
Inner Tank Thickness	2.5 mm
Net weight	1.25 Kg
Quantity dispensed per pump	0.8 ml

Note:

* All information of the above is for the reference only. No prior notice is made if any changes.



Source: Mediclinics.